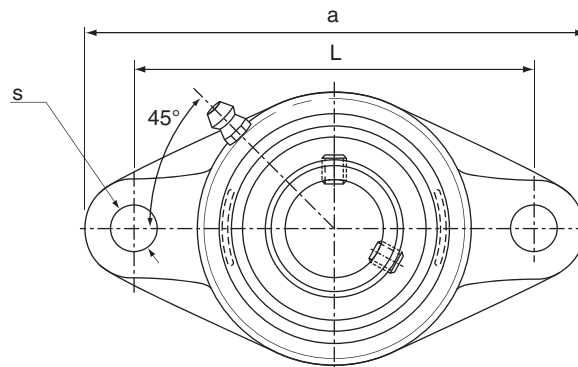
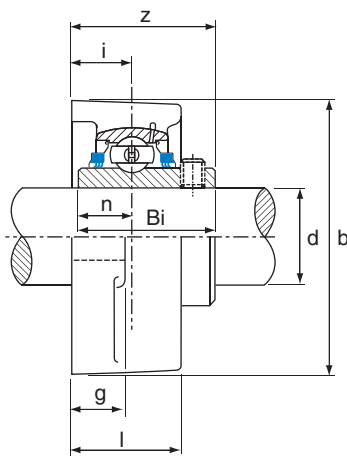


Flange Units

UCFL 200 2 Hole Flange Units



UCFL 200 2 Hole Flange Units (Normal Duty)

Bearing Unit	Shaft Dia.		a	L	i	g	l	s	b	z	Bi	n	Bolt Size		Insert No.	Housing No.	Weight kg
	d inch	d mm											inch	mm			
UCFL 204	3/4"	20	113	90	15	11	25.5	12	60	33.3	31.0	12.7	3/8"	M10	UC 204	FL 204	0.5
UCFL 204-12																	
UCFL 205	1"	25	130	99	16	13	27	16	68	35.8	34.1	14.3	1/2"	M14	UC 205	FL 205	0.6
UCFL 205-16																	
UCFL 206	1.1/4"	30	148	117	18	13	31	16	80	40.2	38.1	15.9	1/2"	M14	UC 206	FL 206	0.9
UCFL 206-20																	
UCFL 207	1.1/4"	35	161	130	19	14	34	16	90	44.4	42.9	17.5	1/2"	M14	UC 207	FL 207	1.2
UCFL 207-20																	
UCFL 207-22																	
UCFL 208	1.1/2"	40	175	144	21	14	36	16	100	51.2	49.2	19.0	1/2"	M14	UC 208	FL 208	1.6
UCFL 208-24																	
UCFL 209	1.3/4"	45	188	148	22	15	38	19	108	52.2	49.2	19.0	5/8"	M16	UC 209	FL 209	1.9
UCFL 209-28																	
UCFL 210	2"	50	197	157	22	15	40	19	115	54.6	51.6	19.0	5/8"	M16	UC 210	FL 210	2.2
UCFL 210-32																	
UCFL 211	2"	55	224	184	25	18	43	19	130	58.4	55.6	22.2	5/8"	M16	UC 211	FL 211	3.2
UCFL 211-32																	
UCFL 212	2.1/4"	60	250	202	29	18	48	23	140	68.7	65.1	25.4	3/4"	M20	UC 212	FL 212	4.1
UCFL 212-36																	
UCFL 213	2.1/2"	65	258	210	30	22	50	23	155	69.7	65.1	25.4	3/4"	M20	UC 213	FL 213	5.1
UCFL 213-40																	
UCFL 214	2.3/4"	70	265	216	31	22	54	23	160	75.4	74.6	30.2	3/4"	M20	UC 214	FL 214	5.9
UCFL 214-44																	
UCFL 215	3"	75	275	225	34	22	56	23	165	78.5	77.8	33.3	3/4"	M20	UC 215	FL 215	6.4
UCFL 215-48																	

All dimensions in millimetres unless otherwise stated. Every effort has been taken to ensure that the data listed in this catalogue is correct. Challenge accepts no liability for any inaccuracies or damage caused.